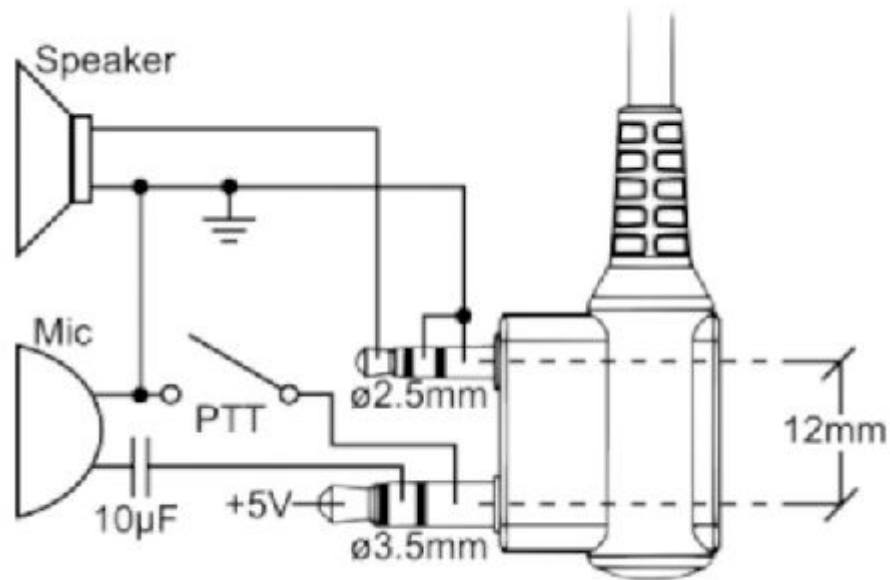


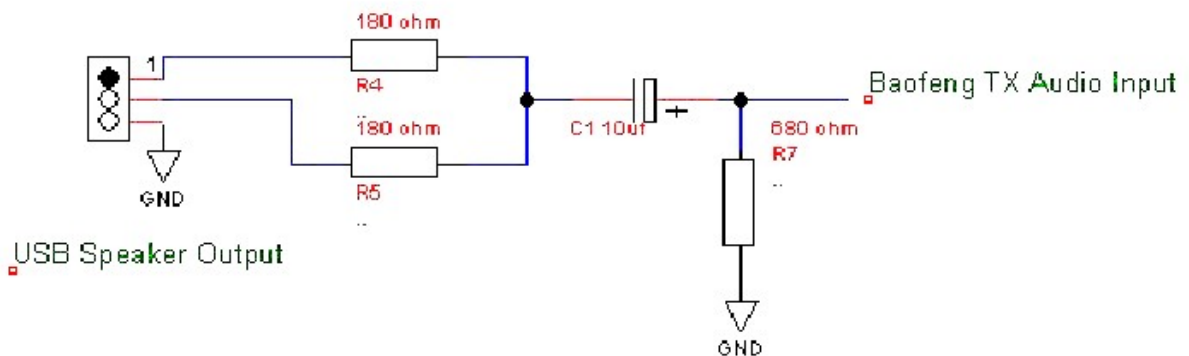
# *Raspberry Pi (3 or 4) Packet Radio Build Homebrew Radio Interface Board Circuitry By Bill Warthman - (K8WJW) - March, 2024*

(Page 1 of 2)

The accessory jack on the Baofeng UV-82 is a Kenwood compatible two pin design  
May be different on other Baofeng models or on non-Baofeng radios..



Baofeng UV-82 Transmit Audio Circuit

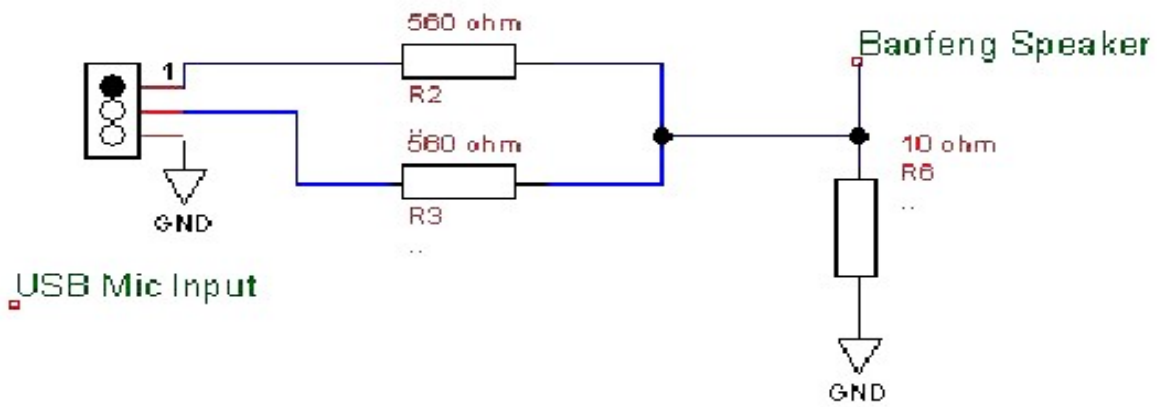


(Continued on Page 2)

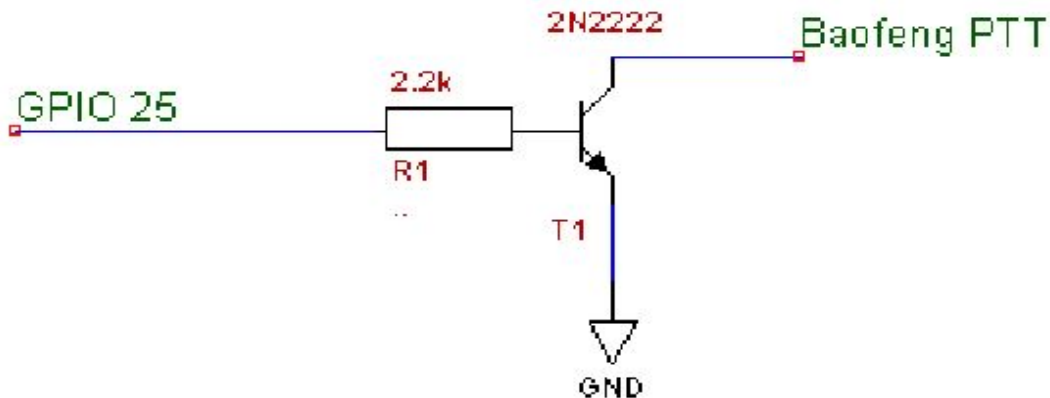
***Raspberry Pi (3 or 4) Packet Radio Build  
Homebrew Radio Interface Board Circuitry  
By Bill Warthman - (K8WJW) - March, 2024***

(Page 2 of 2)

Baofeng UV-82 Receive Audio Circuit



Baofeng UV-82 Push-to-Talk (PTT) Circuit



Complete build details at: <https://w8kvk.com/k8wjw>